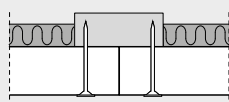


INSTALLATION INSTRUCTIONS

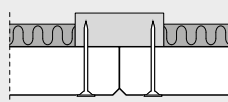
Troldekt® Plus K0, K5, K11 and K0-U, installed with screws

These instructions apply to installation of Troldekt® Plus K0, K5, K11 and K0-U with screws on wooden battens or steel profile system. If you install Troldekt® on wooden battens, the battens should be minimum 22x95 mm. You can download installation instructions for the Troldekt® C60 profile system or wooden battens from www.troldekt.com.

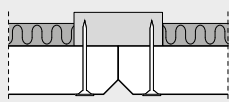
PROFILE DRAWINGS (INDEPENDENT OF SUSPENSION)



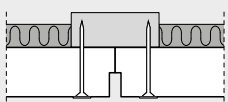
K0 Troldekt Plus
Square edges



K5 Troldekt Plus
With 5 mm bevel



K11 Troldekt Plus
With 11 mm bevel



K0-U Troldekt Plus
Square edges and U-trace

K0, K5, K11 and K0-U are available as Troldekt Plus in the following panel thicknesses:

25+18 / 25+40 / 35+18 / 35+40 mm

(Note: 25+40 / 35+40 mm cannot be combined with a C60 profile system)

INSTALLATION (PLEASE READ FULL INSTRUCTIONS BEFORE STARTING WORK)

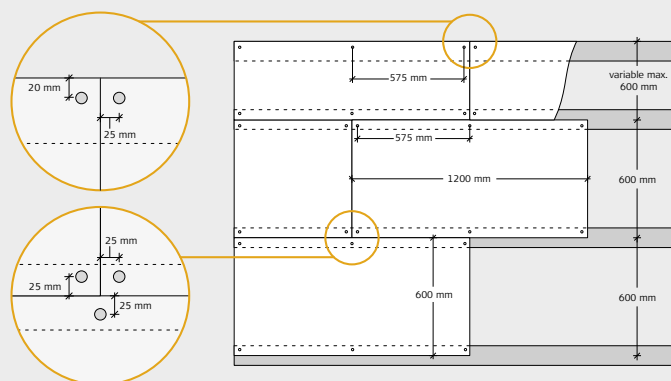
1: Start by installing a complete row of Troldekt panels along the centre line of the room. Then continue on both sides. It is important that the panels are installed closely together, and the optimum aesthetic effect is obtained by installing the panels in broken bond.

2: Fix the panels using Troldekt screws spaced 25/20 mm from the edges – as indicated in the figure below. 25 mm for wooden battens, 20 mm for C60 steel profiles. Be careful not to overdrive the washered screws and so cause an indentation in the panel.

Note: When installing **600x600 mm** square panels, it is important to ensure that the wood wool fibres run mainly parallel in one direction. To ensure a uniform appearance, install the panels so that the printed Troldekt texts on the back of the panels all run in the same direction.

ILLUSTRATION – INSTALLATION, K0, K5, K11 AND K0-U

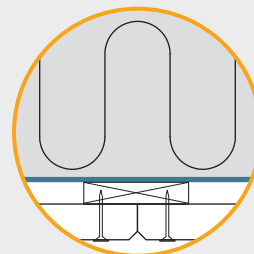
The figure shows longitudinal wooden battens, but transverse battens are equally applicable. Note, however, the tolerances of the Troldekt panels. If the panels are very dry, they could be undersized, which could cause problems on very large surfaces with transversal wooden battens.



VAPOUR CHECK

If you need to install a vapour check, we recommend using polyethylene. The vapour check must be placed over the wooden battens, i.e. between the battens and the main beam. Install the vapour check tightly against the insulation.

Please refer to the manufacturer's instructions.



TROLDTEKT® SCREWS

Panel thickness (mm)	Panel length (mm)	Screw dimension (mm)	No. of screws (per panel)	Max. span (mm)
25 / 25+18 / 2540	600	4.2x45/4.2x50	4	600
	1200		6	
	2000/2400		10	
35 / 35+18 / 35+40	600	4.2x55/4.2x50	4	600
	1200		6	
	2000/2400		10	

Troldekt structure screw
for wood and steel, PH2

4.2x45 mm / 4.2x55 mm



Troldekt structure screw
for steel, PH2

4.2x50 mm

