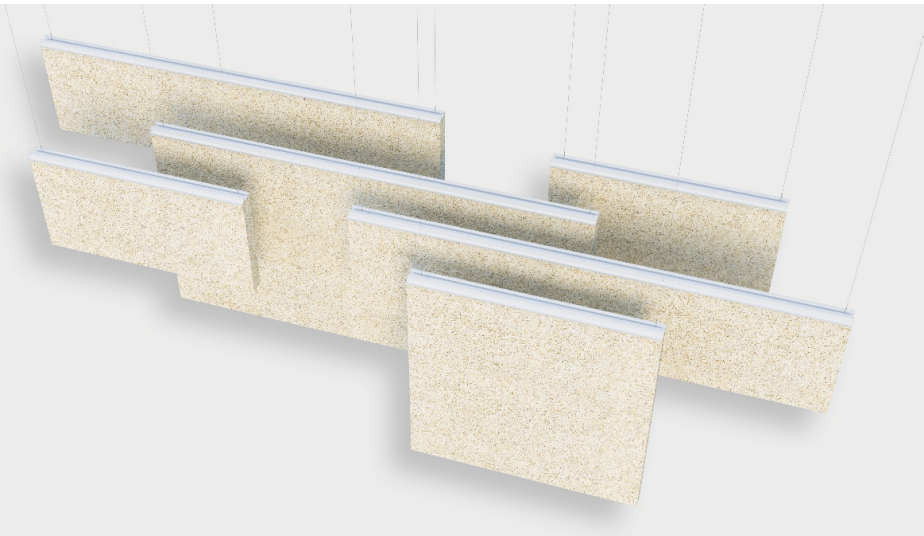


# INSTALLATION INSTRUCTIONS

for suspended Troldekt® baffles

## TROLDTEKT® BAFFLES

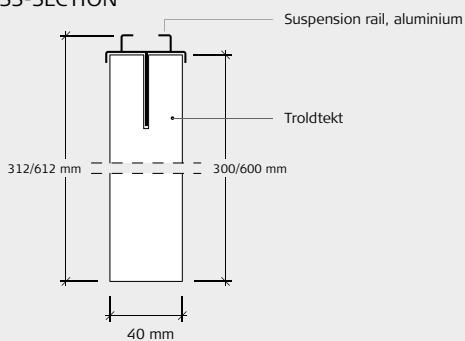


### INSPECTION ON RECEIPT

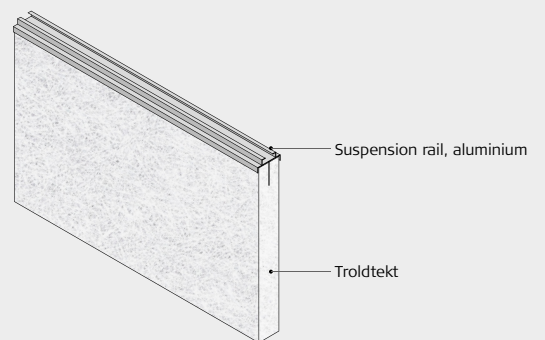
Check that the following components are complete and undamaged on receipt. Please inform the supplier immediately of any visible defects or non-conformities as we are unable to accept claims regarding visible defects or non-conformities once the baffle has been

fitted. Please also refer to the instructions regarding the storage and acclimatisation as well as the care and maintenance of Troldekt acoustic panels – download at [www.troldekt.com](http://www.troldekt.com)

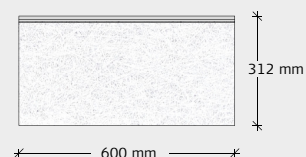
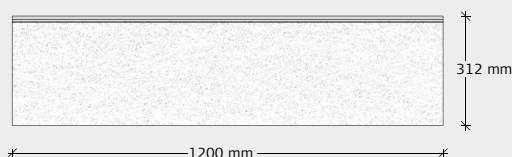
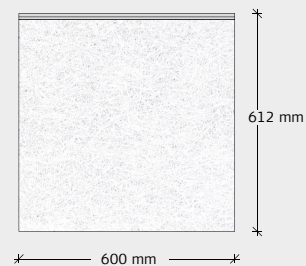
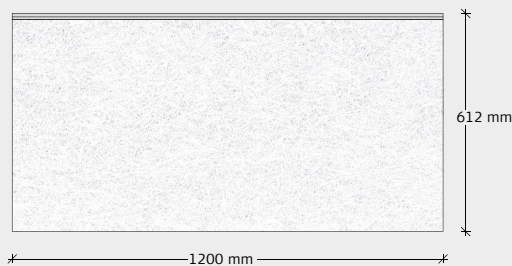
### CROSS-SECTION



### ISOMETRIC

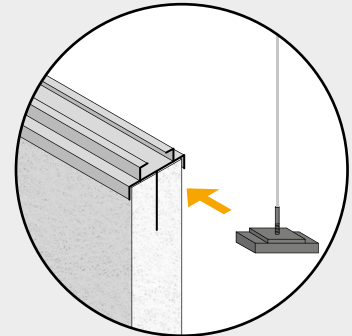


### FORMATS

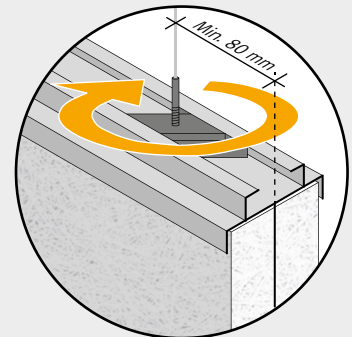


INSTALLATION OF TROLDTEKT® BAFFLES

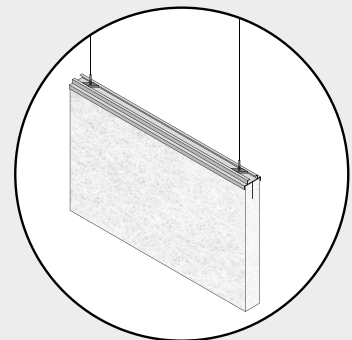
**1:** Slide the fastening blocks into the aluminium profile from both sides.  
 NOTE: When installing baffles which are 1800 mm long or more, it is necessary to use at least three suspension wires.



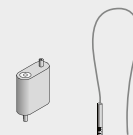
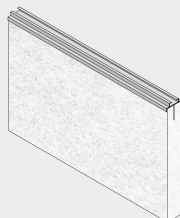
**2:** Secure the suspension wire to the fastening block in the aluminium profile – min. 80 mm from the end – by screwing the thread at the end of the wire into the fastening block.



**3:** Once the fastening block and the suspension wire are secured, the baffle can be hung up.



COMPONENTS



Product name	Troldtekt® baffle element	Fastening block	Suspension wire w/bolt
Size/length (mm)	300 X 600/1200, 600 X 600/1200 mm	2 pcs. per baffle	2 pcs. per baffle