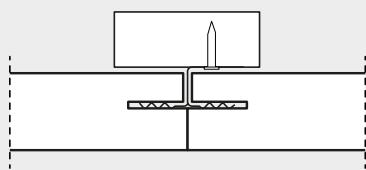


# INSTALLATION INSTRUCTIONS

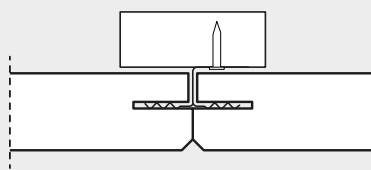
Troldtekt® acoustic panels, installed on walls with concealed KN brackets

These instructions apply to the installation of Troldtekt® acoustic panels on walls with concealed KN brackets on wooden battens. If you install Troldtekt® on wooden battens, the battens should be min. 22 x 95 mm. You can download installation instructions for wood battens from [www.troldtekt.com](http://www.troldtekt.com).

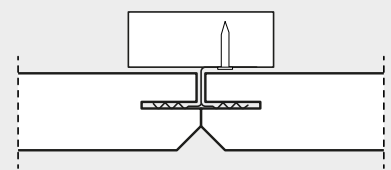
## PROFILE DRAWINGS (INDEPENDENT OF SUSPENSION)



K0-N: Square edges



K5-N: With 5 mm bevel

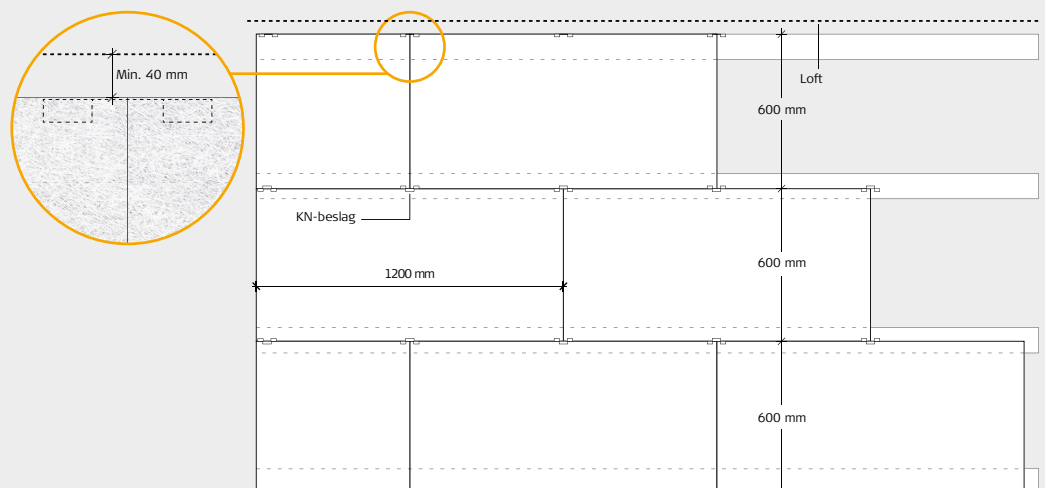


K11-N: With 11 mm bevel

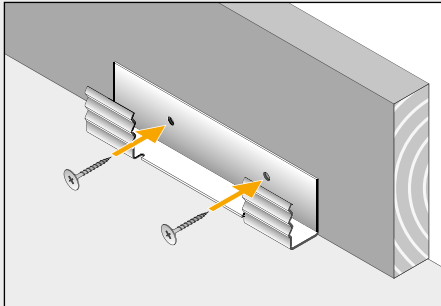
## INSTALLATION (PLEASE READ FULL INSTRUCTIONS BEFORE STARTING WORK)

- 1: Start by installing the bottom row of Troldtekt acoustic panels on the wall using KN top/bottom brackets as well as standard KN brackets (see illustration on page 2). It is important that the panels are butted tightly up against one another during installation, and the optimum aesthetic result is obtained by installing the panels in broken bond. Screw the first line of KN brackets into the wood battens/C60 profile in the centre line of the room using two screws per bracket. For wood battens, use two screws (3.5 × 25 mm) per bracket. For C60 profiles, use two self-tapping screws (4 × 13 mm) per bracket (not included).
- 2: Then install the remaining rows of panels, working upwards. Position the first bracket at the end of the wall and the next bracket in the panel joint. See the figure below. Then lead the groove of the panel over the brackets, and install the next line of brackets continuously as you install the panels. Continue up to and including the last but one row of acoustic panels.
- 3: Then install the top row of panels using the KN bracket holders as well as the KN top/bottom brackets as shown in the illustration on page 2.

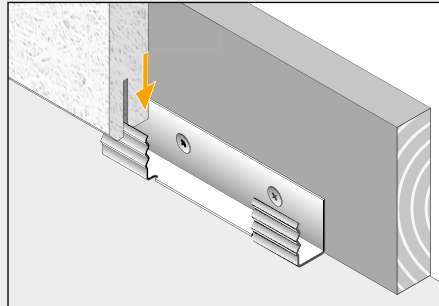
## ILLUSTRATION – INSTALLATION



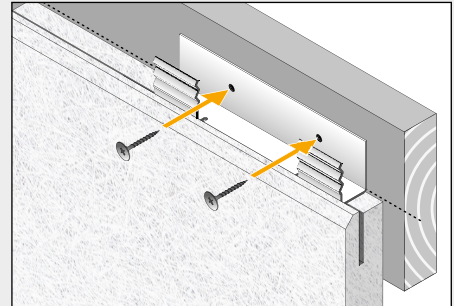
## INSTALLATION USING KN BRACKETS



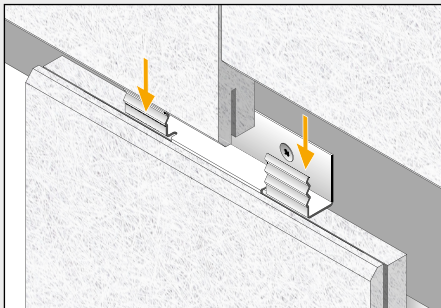
**1:** Install KN top/bottom brackets at the bottom, with the flanges facing upwards.



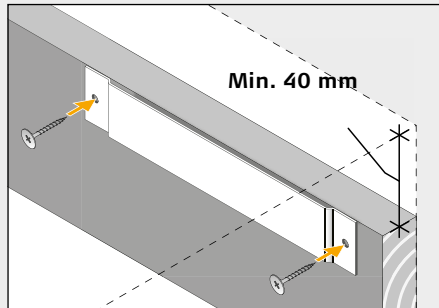
**2:** Slide the panels onto the brackets at the bottom of the wall.



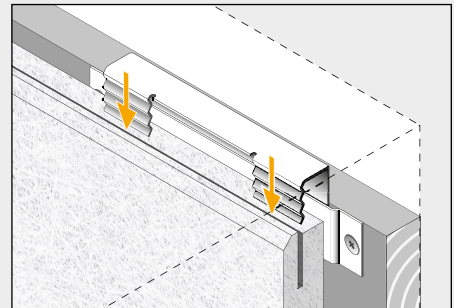
**3:** Insert the standard KN bracket in the groove at the top of the panel. Then screw the bracket into place.



**4:** Install the next row of panels on the bracket. Position one KN bracket at every panel joint.



**5:** At the top of the wall, position the KN bracket holders where the KN brackets are to be installed subsequently. Allow at least 40 mm between the top edge of the KN bracket holder and the ceiling.

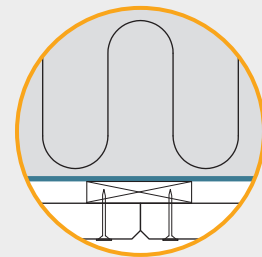


**6:** Slide the KN top/bottom brackets into place in the panel groove/KN bracket holder, and the panel is now secure.

## VAPOUR BARRIER

If you need to install a vapour barrier, we recommend using polyethylene. The vapour barrier must be placed above the wood battens, i.e. between the battens and the foot of the rafters. Install the vapour barrier so it is well-stretched and sits tightly against the insulation.

Please refer to the manufacturer's instructions.



## TROLDTEKT® KN BRACKETS

Panel thickness (mm)	Panel length (mm)	No. of standard KN brackets per panel	No. of KN top/bottom brackets along floor and ceiling per panel	No. of KN bracket holders per panel along ceiling
35	600 / 1200 / 2400	1	1	1

