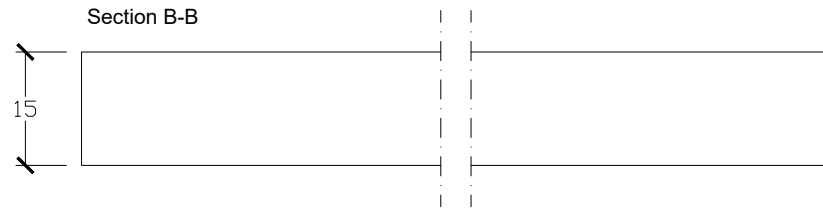
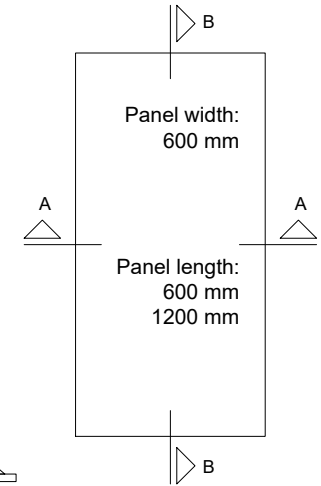
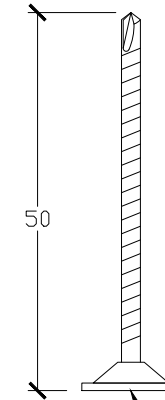
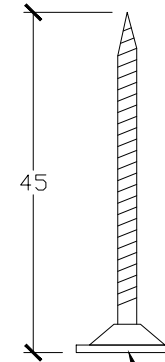
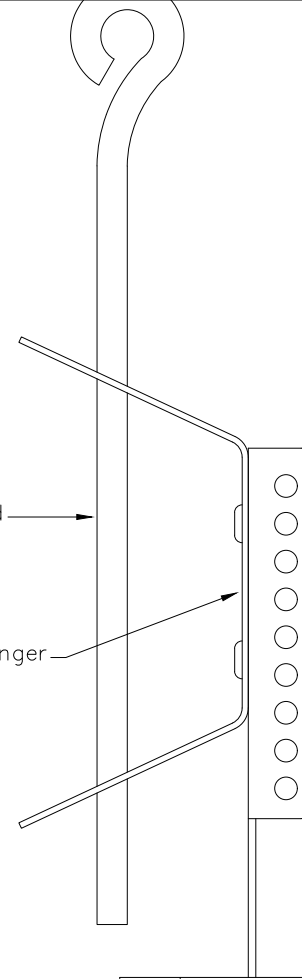


Edge design

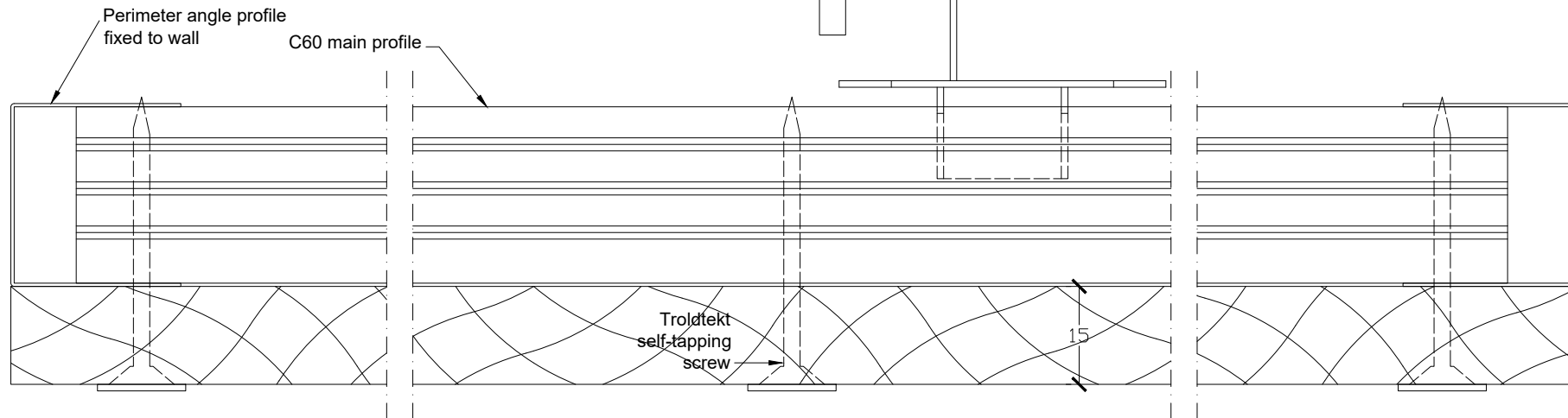


Suspension rod

C-suspension hanger



Longitudinal section B-B



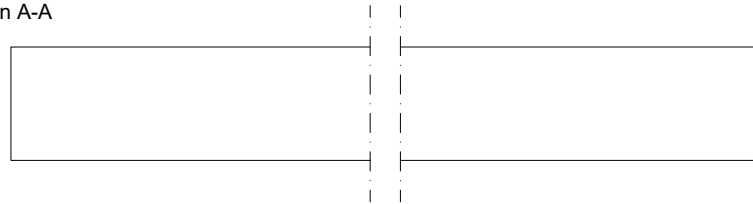
NAVN		Troldekt K0 + C60, panel thickness: 15 mm			
EMNE		Longitudinal section B-B			
MAL	1:1	INIT	MKM	REV. NR.	01
DATO		28-02-2024			



Edge design

Section A-A

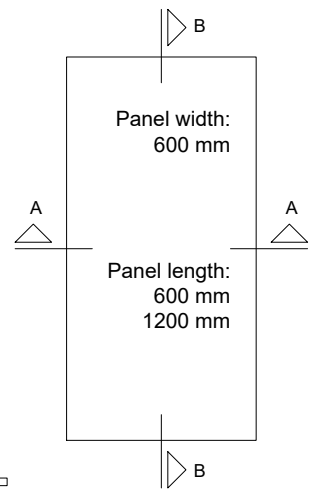
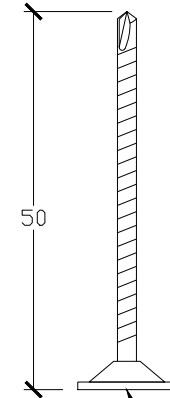
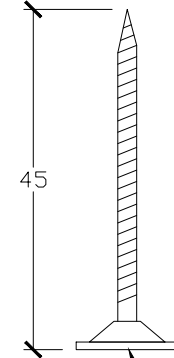
15



Suspension rod

Suspension rod

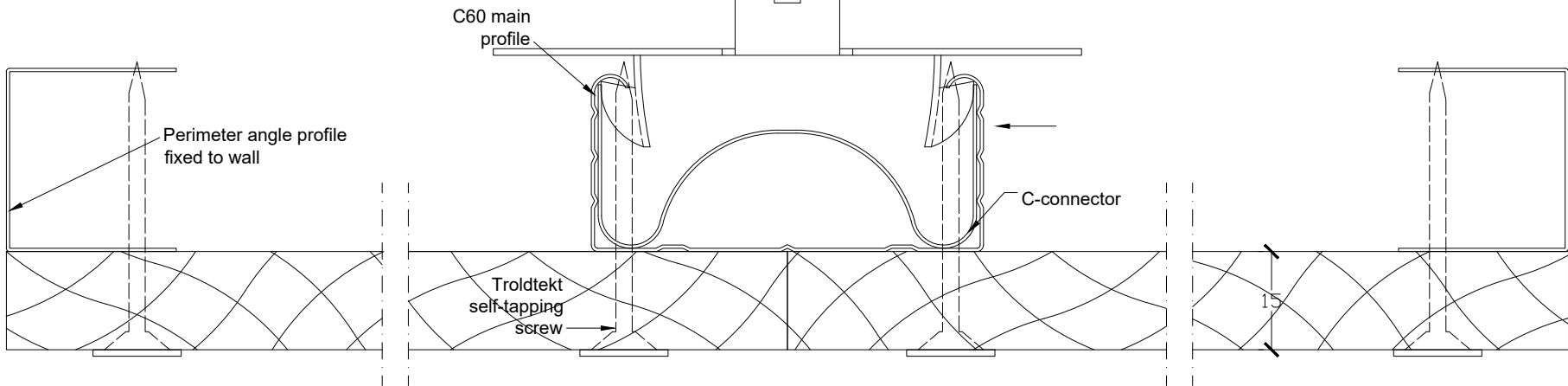
C-suspension hanger



Troldekt structure screw for steel

Troldekt self-tapping screw

Cross section A-A



NAVN		Troldekt K0 + C60, panel thickness: 15 mm			
EMNE		Cross section A-A			
MAL	1:1	INIT	MKM	REV. NR. 01	DATO 28-02-2024

