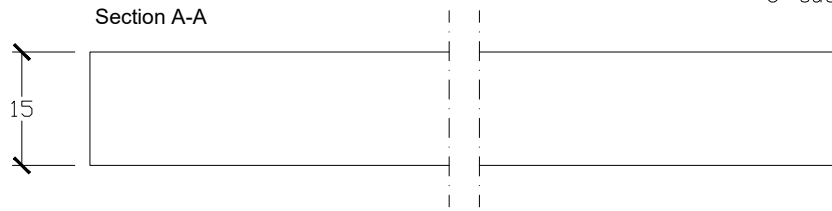
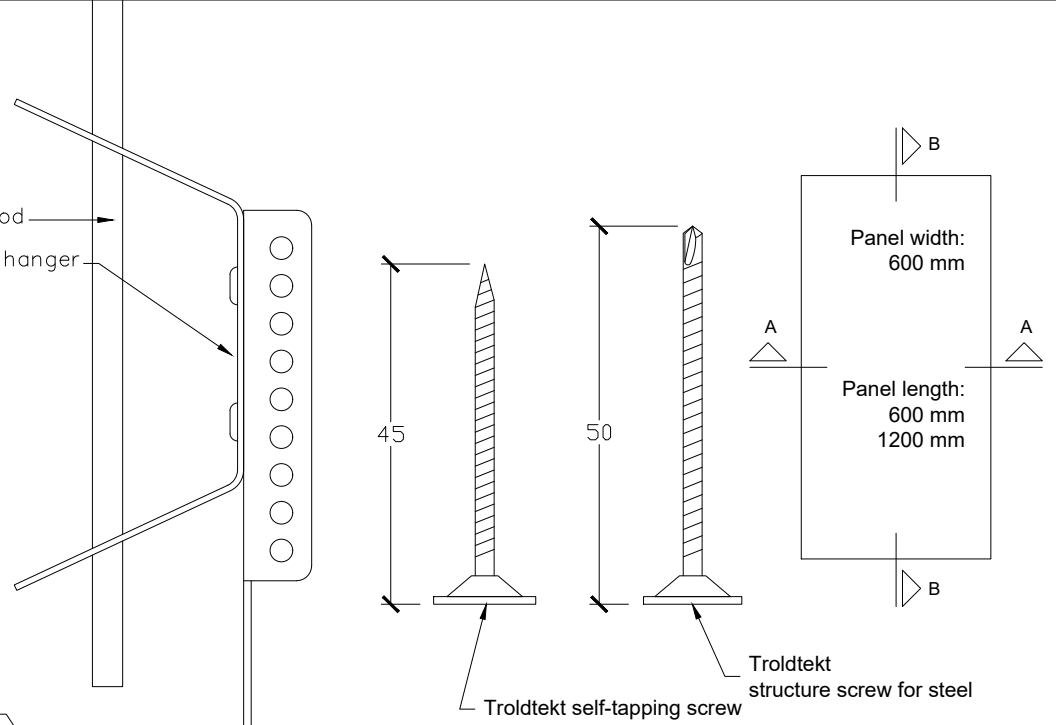


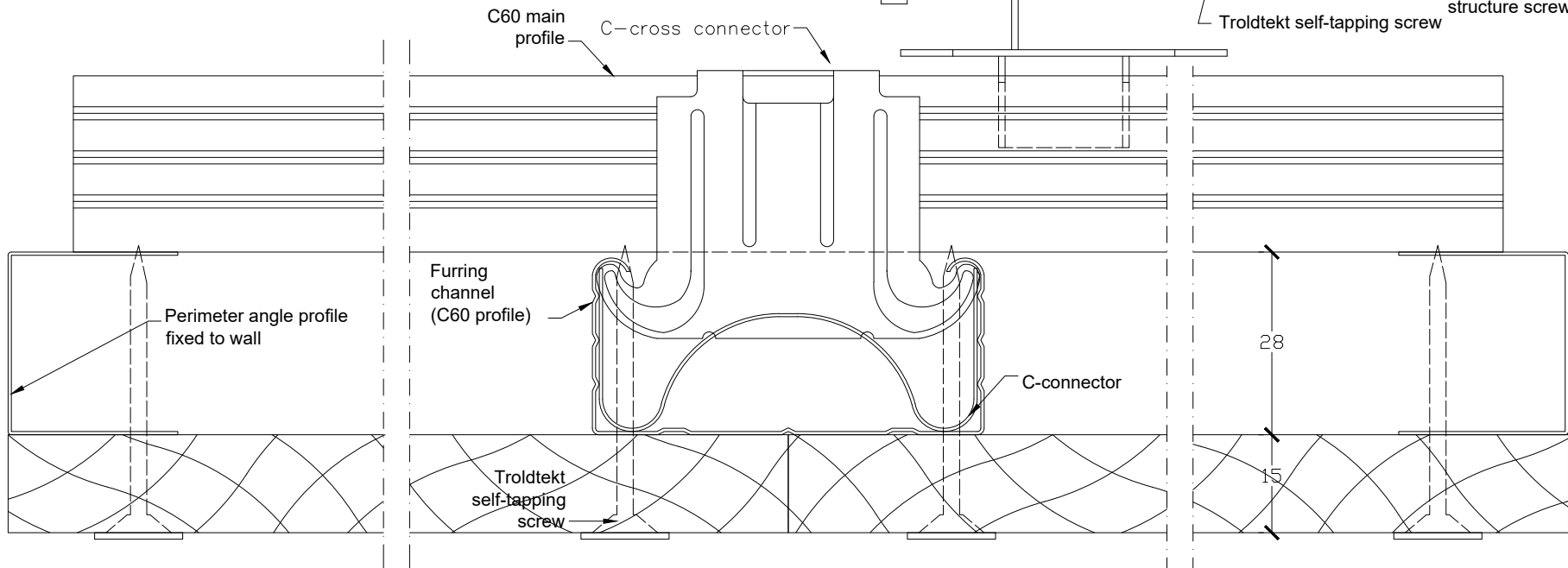
Edge design



Suspension rod
C-suspension hanger



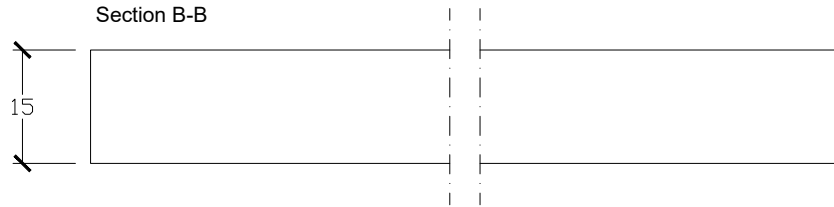
Cross section A-A



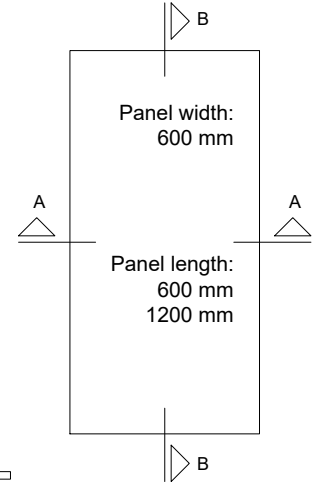
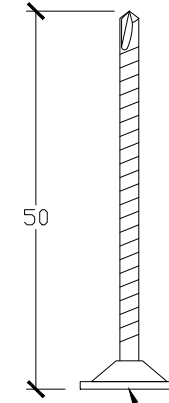
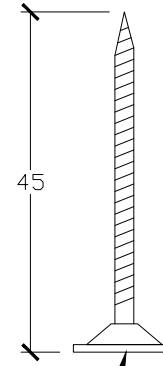
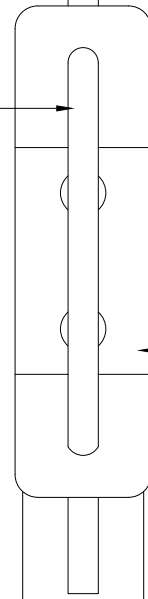
NAVN		Troldekt K0 + C60, panel thickness: 15 mm			
EMNE		Cross section A-A			
MAL	1:1	INIT	MKM	REV. NR. 01	DATE 28-02-2024



Edge design



Suspension rod

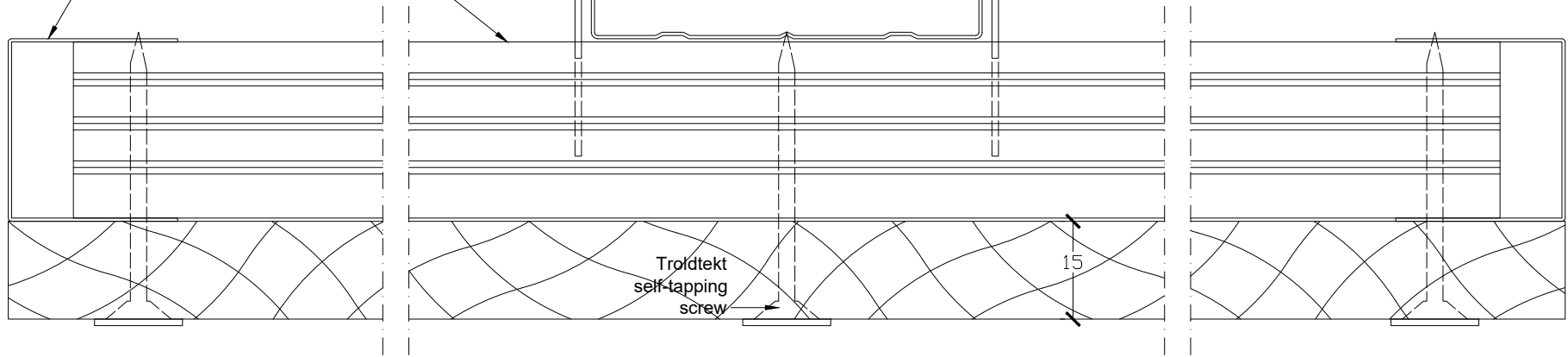


C60 main profile

C-cross connector

Perimeter angle profile fixed to wall

Furring channel (C60 profile)



NAVN		Troldekt K0 + C60, panel thickness: 15 mm			
EMNE		Longitudinal section B-B			
MÅL	1:1	INIT	MKM	REV. NR.	01
DATO		28-02-2024			

