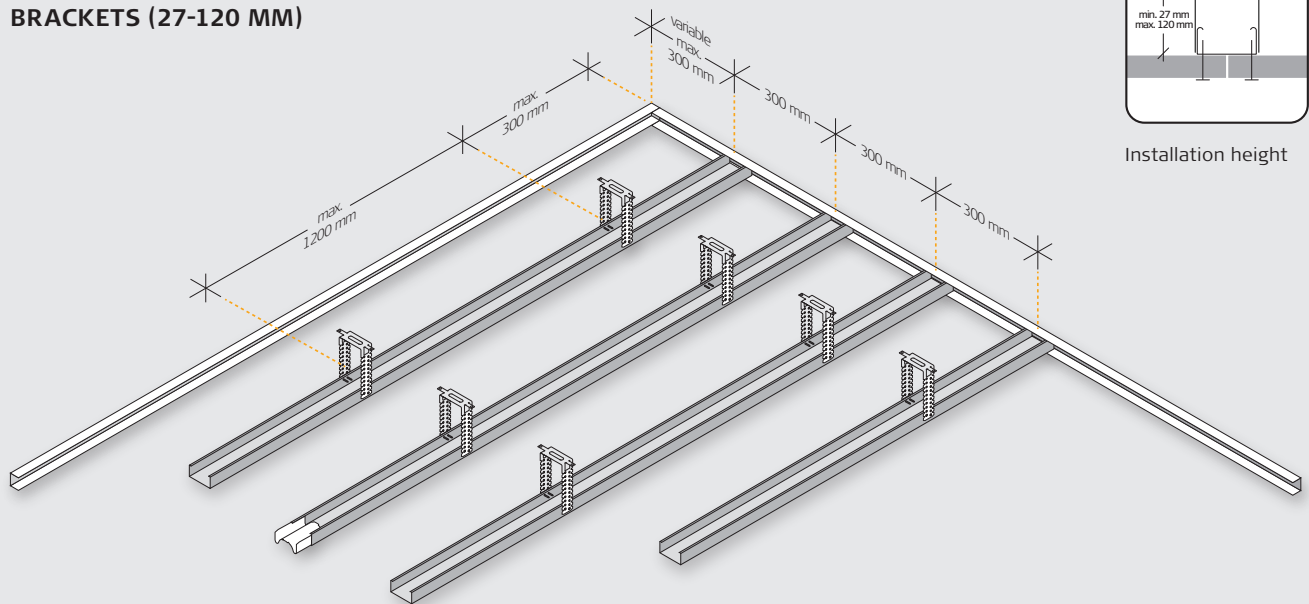


# INSTALLATION INSTRUCTIONS

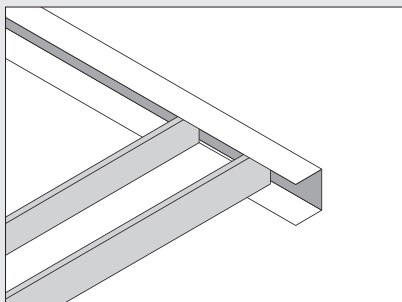
## C60 profiles suspended with adjustable suspension brackets (27-120 mm) for 15 mm panels

These instructions apply to installation of C60 profiles suspended with adjustable suspension brackets for 15 mm panels.

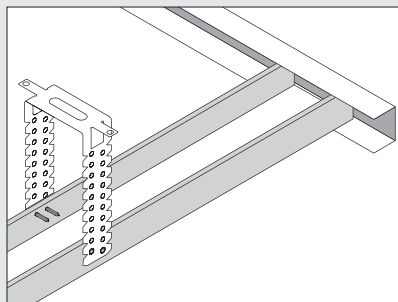
### INSTALLED ON C60 PROFILES, SUSPENDED WITH ADJUSTABLE SUSPENSION BRACKETS (27-120 MM)



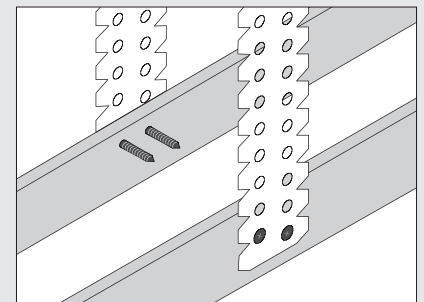
### STRUCTURAL SOFFIT



**1:** Mark the horizontal ceiling at the required height on all adjoining walls. Mark the lower side of the U-profile and fix it to the wall using 6 mm dowels in predrilled holes. Determine and mark the anchor points for the C60 profiles. Always install the first adjustable suspension bracket max. 300 mm from the wall. Distribute the remaining adjustable suspension brackets with a max. spacing of 1200 mm.

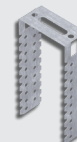
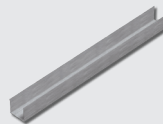
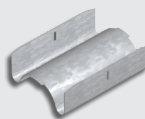
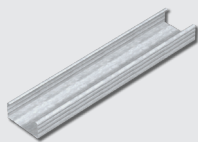


**2:** Hold a main profile with the opening facing upwards and screw on the adjustable suspension bracket to the side of the profile at the desired height. Bend back any excess section of the adjustable suspension bracket. Assemble the main profiles longitudinally using C-connectors, and terminate the main profiles in the U-profile.



**3:** If possible, divide the ceiling space to allow for adjustments of min. 300 mm on both sides.

## COMPONENTS



<b>Product name</b>	<b>C60 profile 60×27 mm</b>	<b>C-connector</b>	<b>U-profile 28×27 mm</b>	<b>Adjustable suspension bracket</b>
<b>Length (mm)</b>	4000	80	3000	27-120
<b>Quantity per pack</b>	12 pcs.	100 pcs.	16 pcs.	100 pcs.
<b>Approx. qty. per m<sup>2</sup></b>	1.7 linear m	0.5 pcs.	According to measurement	1.4 pcs.