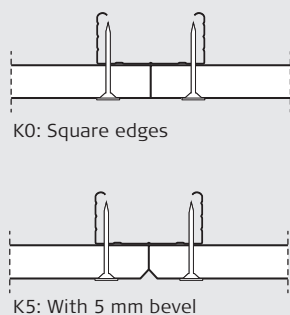


INSTALLATION INSTRUCTIONS

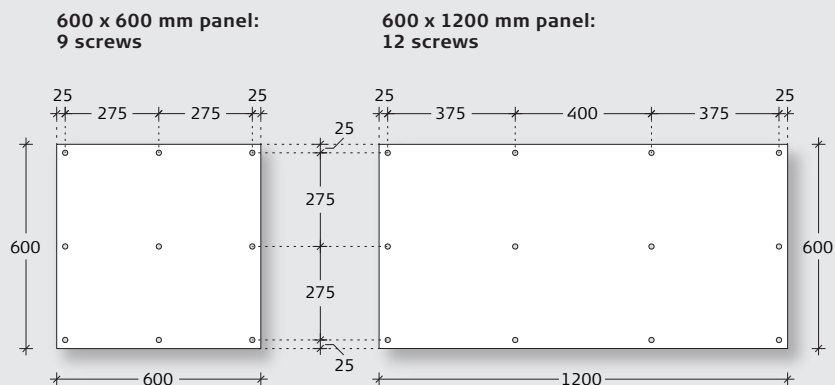
Troldtekt® 15 mm acoustic panels K0 and K5 installed with screws

These instructions apply to installation of Troldtekt® 15 mm acoustic panels K0 and K5 with screws on steel profile system / steel profiles.

PROFILE DRAWINGS



NUMBER OF SCREWS PER 15 MM PANEL



INSTALLATION (PLEASE READ FULL INSTRUCTIONS BEFORE STARTING WORK)

1: Start by installing a complete row of Troldtekt panels along the centre line of the room. Then continue on both sides. It is important that the panels are installed closely together, and the optimum aesthetic effect is obtained by installing the panels in broken bond.

2: Fix the panels using Troldtekt screws spaced 25/20 mm from the edges – as indicated in the figure below. 20 mm for C60 steel profiles. Be careful not to overdrive the washered screws and thus cause an indentation in the panel.

Note: When installing **600x600 mm** square panels, it is important to ensure that the wood wool fibres run mainly parallel in one direction. To ensure a uniform appearance, install the panels so that the printed Troldtekt texts on the back of the panels all run in the same direction.

ILLUSTRATION – INSTALLATION, K0 AND K5: LONGITUDINAL PROFILES (600 X 1200 MM PANELS)

The figure shows longitudinal profiles per 300 mm, but transverse profiles are equally applicable. Note, however, the tolerances of the Troldtekt panels. If the panels are very dry, they could be undersized, which could cause problems on very large surfaces with transversal profiles.

For 600 x 1200 mm panels, transversal profiles must be installed per 400 mm (see next page).

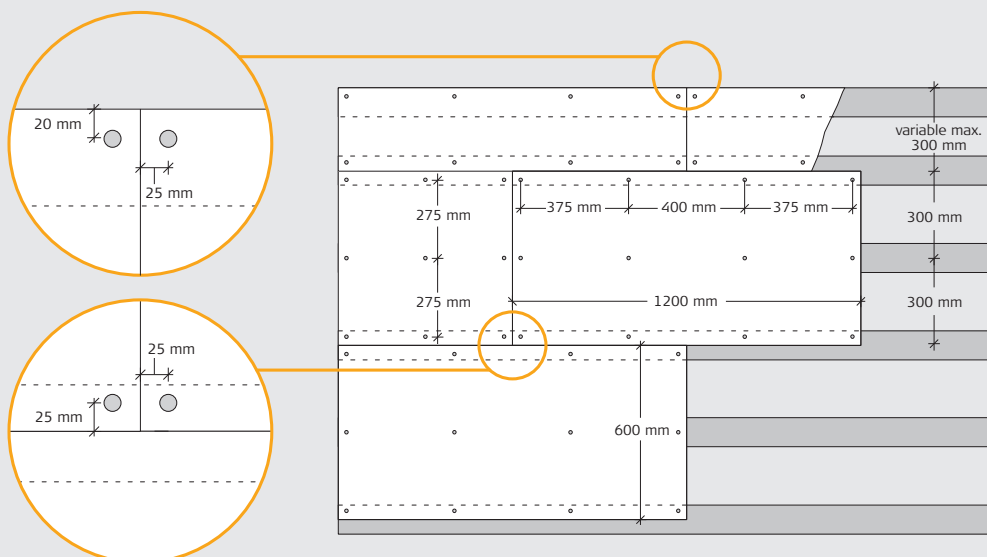
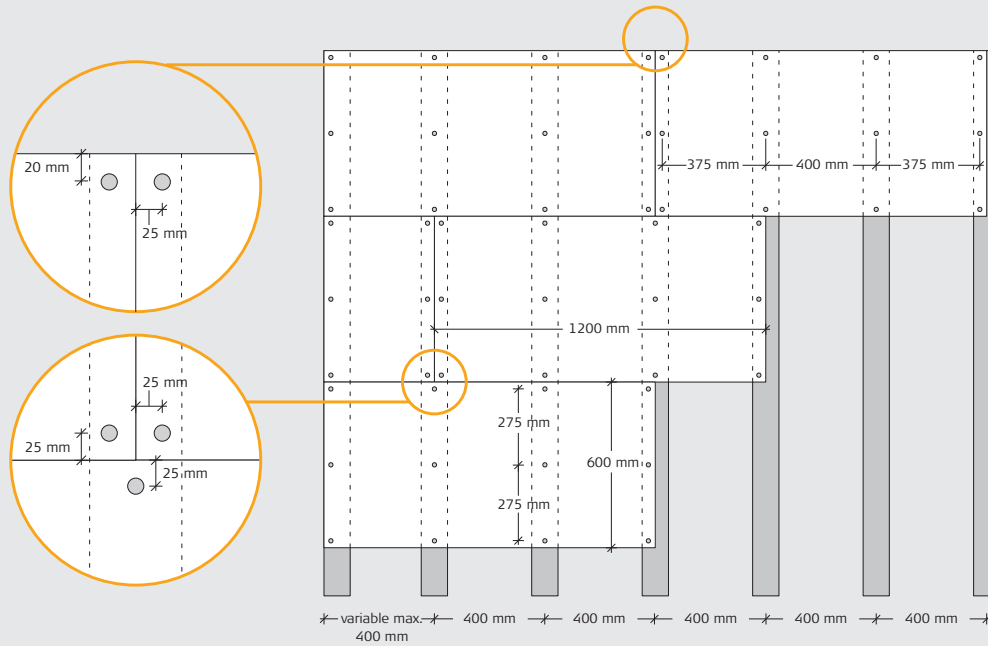


ILLUSTRATION - INSTALLATION, K0 AND K5, 600 X 1200 MM PANELS: TRANSVERSE PROFILES

The figure shows installation of 600 x 1200 mm panels. Transverse profiles must be installed per 400 mm.



TROLDTEKT® SCREWS

Panel thickness (mm)	Panel length (mm)	Screw dimension (mm)	No. of screws (per panel)	Max. span (mm)
15	600	4.2x45 / 4.2x50	9	300
15	1200	4.2x45 / 4.2x50	12	300

Troldekt structure screw
for wood and steel, PH2

4.2x45 mm / 4.2x55 mm



Troldekt structure screw
for steel, PH2

4.2x50 mm

