

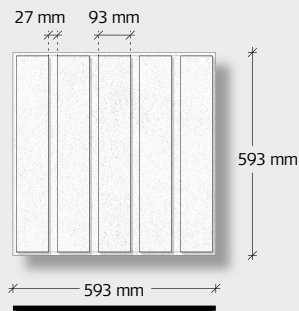
INSTALLATION INSTRUCTIONS

for Troldtekt® Tiles T24 installed in exposed T24 profiles in removable, suspended ceiling system

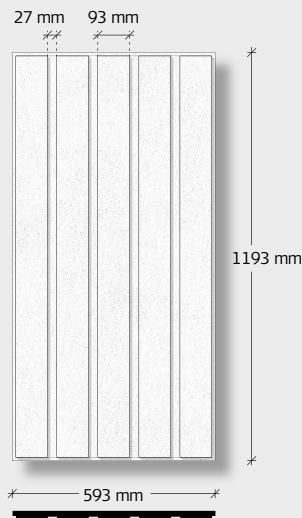
These instructions apply to the installation of Troldtekt® Tiles T24 in exposed T24 profiles in a removable, exposed ceiling system. Download installation instructions for the Troldtekt® T24 profile system from www.troldtekt.com.

TROLDTEKT® TILES T24 VARIANTS

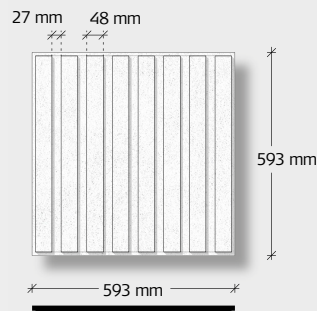
Troldtekt® Tiles 5, T24
25 x 593 x 593 mm



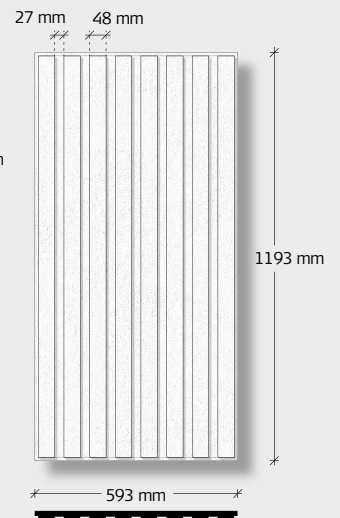
Troldtekt® Tiles 5, T24
25 x 593 x 1193 mm



Troldtekt® Tiles 8, T24
25 x 593 x 593 mm



Troldtekt® Tiles 8, T24
25 x 593 x 1193 mm

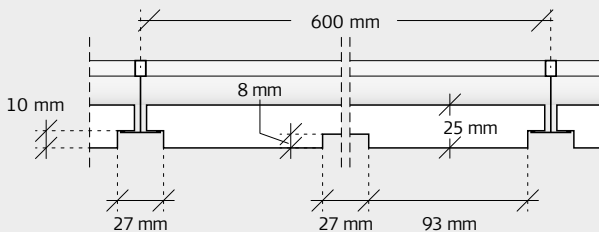


PROFILE DRAWINGS

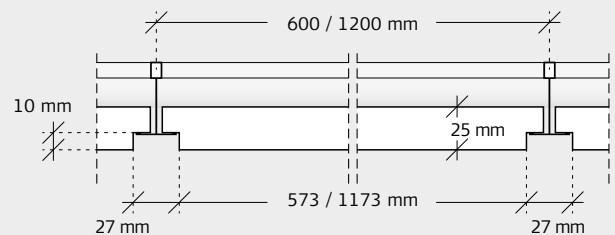
As the illustrations show, the edge profiling on all four sides forms a track with a square edge and rebate (like K0-FS) between the panels.

The width of the track (27 mm) is the same width as the milled tracks on the surface of the panels.

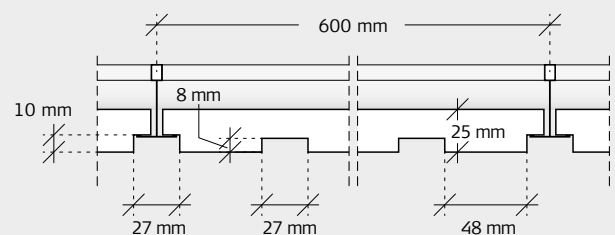
This integrates the T24 profiles into the ceiling's overall visual appearance.



CROSS-SECTION: Troldtekt® Tiles 5, T24



LONGITUDINAL SECTION: Troldtekt® Tiles 5 and 8, T24



CROSS-SECTION: Troldtekt® Tiles 8, T24